

GROS

CPD20/25/30/35ESL

BALANCEWEIGHT TYPE FORKLIFT TRUCK WITH ENGINE

Efficiency Rules the Future



CONFIGURATION

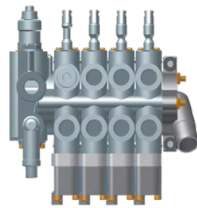
Multi-function Instrument	High Efficiency AC Drive Motor
Lifting/Steering Computer Controlled	Gear Pump with Low Noise
Pedal Rubber	Energy Efficient Dynamic Signal
Standard Battery	Load Sensing Hydraulic System
Emergency Power Off	Top Rain Shelter
Full Set LED Lamps	Charging Indicator
Reversing Buzzer	Electric Horn
Standard Seat	Wide-angle Rearview Mirror
Full-hydraulic Power Steering	Traction Pin
Wide Field Mast	Tool Box
Low Resistance Tires	Standard Forks
Two Piece Multiplex Valve	Lifting and Tilting Joysticks

OPTIONAL

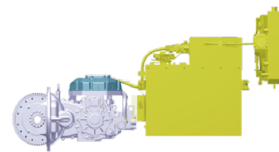
Cabin	Large Capacity Battery
Warm-air Blower	Widen and Lengthen Backrest
Suspension Seat	Widen Fork Frame
Lifting Potentiometer	Protective Net
Battery Charger	Electric Fan
Battery Charger	Reversing Handrail Horn
Lithium Battery	Corner Positioner
Rotate Buzzer Beacon	Reversing Radar
Rear Working Lamp	Lengthen Fork Jacket
Working Warning Light	Tilting Cylinder Sleeve
Green Solid Tires	Steering Cylinder Sleeve
Solid Tires	Custom Colors
	Multiple Work Attachments

PRODUCT FEATURES

Green environmental protection Zero emission, low noise.
Strong Stability
High pressure control system
High charging efficiency
High level of protection Integrated electrical system, protection grade reaches IP65.
Wide operating vision Use the wide view frame of internal combustion truck to improve the safety of stacking operation.



Electro hydraulic lifting control system



New energy vehicle high voltage technology



Intelligent instrument

The following blank can be used for notes or comments.

**For more information on Lonking products,
Please contact our local agent:**

LONKING HOLDINGS LIMITED

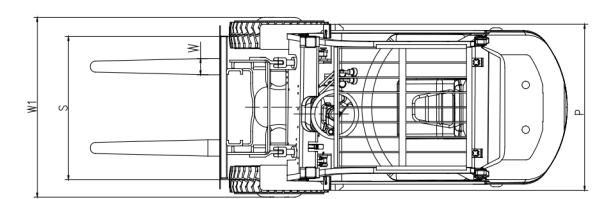
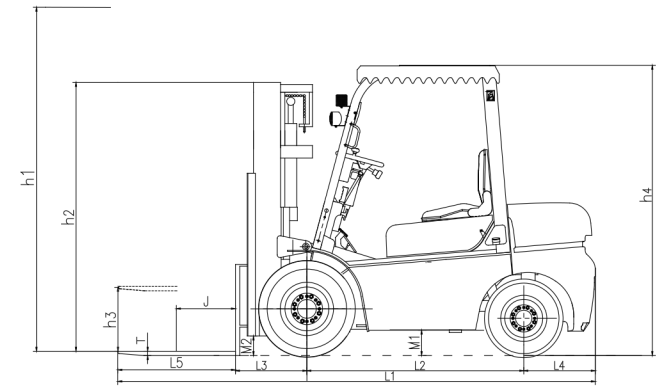
	CPD20ESL	CPD25ESL	CPD30ESL	CPD35ESL
Rated Capacity (kg)	2000	2500	3000	3500
Load Center (mm)	500	500	500	500
Power Type	Electric (AC)	Electric (AC)	Electric (AC)	Electric (AC)

Lonking, Lonking FD Series and their respective logos, as well as corporate identity in this leaflet are trademarks of Lonking Holdings Ltd. and may not be used without written permission. 2020/04

Specifications and design are subject to change without prior notice. Machines shown may not include optional accessories.

OVERALL SPECIFICATIONS

Type	No.	Item	Code	Unit	Data			
Identification	1.01	Manufacturer			LONKING			
	1.02	Model			CPD20ESL	CPD25ESL	CPD30ESL	CPD35ESL
	1.03	Power type			Electric (AC)			
	1.04	Rated capacity	Q	kg	2000	2500	3000	3500
	1.05	Load center	J	mm	500	500	500	500
Dimensions	2.01	STD Max height (with backrest)		mm	3935	3935	4210	4210
	2.02	STD Max lifting height	h1	mm	3000	3000	3000	3000
	2.03	Overhead guard height	h4	mm	2110	2110	2130	2130
	2.04	Overall length (with fork)	L1	mm	3590	3650	3850	3900
	2.05	Wheelbase	L2	mm	1650	1650	1760	1760
	2.06	Front overhang	L3	mm	460	460	478	493
	2.07	Rear overhang	L4	mm	410	470	540	570
	2.08	Min.ground clearance (Frame/Mast)	m1/m2	mm	150/110	150/110	160/130	160/130
	2.09	Overall width	W1	mm	1160	1160	1240	1240
	2.10	Adjusting range of fork (outside)		mm	240-1040	240-1040	250-1050	250-1050
	2.11	STD Fork size (L5*W*T)		mm	1070×120×40		1070×125×45	1070×125×50
	2.12	Front wheel tread	S	mm	970	970	1000	1000
	2.13	Rear wheel tread	P	mm	980	980	980	980
	2.14	Min.turning radius	R1	mm	2250	2300	2400	2420
	2.15	Min aisle width for pallet 1000×1200,crossways		mm	3900	3970	4215	4260
	2.16	Min aisle width for pallet 800×1200,lengthways		mm	4150	4160	4350	4390
Tires	3.01	Wheels number, front/rear (X=driven wheels)			X=2/2			
	3.02	Tires type			Pneumatic			
	3.03	Tires size, front			7.00-12-12PR		28×9-15-14PR	
	3.04	Tires size, rear			6.00-9-10PR		6.50-10-10PR	
Other Details	4.01	Max.traveling speed,unloaded/loaded		km/h	12/11	12/11	12/11	12/11
	4.02	Max.lifting speed, unloaded/loaded		mm/s	350/300	350/280	350/250	300/200
	4.03	Lowering speed,unloaded/loaded		mm/s	340/320	340/320	500/350	340/320
	4.04	Max.gradient, unloaded/loaded		%	20/15	20/15	15/15	15/15
	4.05	STD operating weight (with oil & water)		kg	3255	3560	4020	4420
	4.06	Axles loading,front/rear (loaded)		kg	4725/525	5490/610	6520/640	7265/865
	4.07	Axles loading,front/rear (unloaded)		kg	1300/1950	1440/2160	1680/2480	1760/2870
	4.08	Drive motor		kw	10	10	10	10
	4.09	Lift motor		kw	12	12	12	12
	4.10	Controller			SUPEREC			
	4.11	Li-ion Battery votage/capacity		V/Ah	80/205			



MAST SPECIFICATIONS

2 Stage Standard Mast-Super Wide Field

Mast Model	h1 Max Lifting Height(mm)	Load Capacity (J=500mm) (kg)				h2 Lowered Mast Height (mm)			h3 Free Lifting Height, without			Mast tilt α/β
		2T	2.5T	3T	3.5T	2-2.5T	3T	3.5T	2-2.5T	3T	3.5T	
M200	2000	2000	2500	3000	3500	1500	1575	1680	150	165	170	9/12
M225	2250	/	/	/	/	/	/	/	/	/	/	/
M250	2500	2000	2500	3000	3500	1750	1825	1930	150	165	170	9/12
M270	2700	2000	2500	3000	3500	1850	1925	2030	150	165	170	9/12
M300	3000	2000	2500	3000	3500	2000	2075	2180	150	165	170	9/12
M330	3300	2000	2500	3000	3500	2150	2225	2330	150	165	170	9/12
M350	3500	2000	2500	3000	3500	2250	2325	2430	150	165	170	9/12
M370	3700	2000	2500	3000	3500	2350	2425	2530	150	165	170	9/12
M400	4000	2000	2500	2950	3200*3400	2550	2625	2730	150	165	170	9/8
M425	4250	1850*2000	2250*2500	2850*3000	3100*3300	2675	2750	2855	150	165	170	9/8
M450	4500	1600*1900	2100*2400	2600*2800	2900*3100	2800	2875	2980	150	165	170	9/8
M475	4750	1400*1800	1900*2200	2350*2600	2700*2900	2925	3000	3105	150	165	170	9/8
M500	5000	1300*1700	1600*1900	2100*2400	2400*2750	3050	3125	3230	150	165	170	9/8
M550	5500	1200*1500	1200*1700	*2400	*2400	3350	3425	3530	150	165	170	3/6
M600	6000	1000*1300	900*1400	1500*2000	*2200	3600	3675	3780	150	165	170	3/6

Note:"*" means capacity of double front wheels.

2 Stage Free Mast-Super Free Lifting Height

Mast Model	h1 Max Lifting Height(mm)	Load Capacity (J=500mm) (kg)				h2 Lowered Mast Height (mm)			h3 Free Lifting Height, without			Mast tilt α/β
		2T	2.5T	3T	3.5T	2-2.5T	3T	3.5T	2-2.5T	3T	3.5T	
ZM200	2000	2000	2500	3000	3500	1555	1575	1680	1050	920	964	9/12
ZM250	2500	2000	2500	3000	3500	1805	1825	1930	1300	1170	1214	9/12
ZM270	2700	2000	2500	3000	3500	1905	1925	2030	1400	1270	1314	9/12
ZM275	2750	/	/	/	/	/	/	/	/	/	/	/
ZM300	3000	2000	2500	3000	3500	2055	2075	2180	1550	1420	1464	9/12
ZM330	3300	2000	2500	3000	3500	2205	2225	2330	1700	1570	1614	9/12
ZM350	3500	2000	2500	3000	3500	2305	2325	2430	1800	1670	1714	9/12
ZM370	3700	/	/	/	3500	/	/	2530	/	/	1814	9/12
ZM375	3750	2000	2500	3000	/	2430	2450	/	1925	1795	/	9/12
ZM400	4000	2000	2500	2850	3250*3500	2605	2625	2730	2100	1970	2014	9/8
ZM450	4500	1600*1900	2100*2400	2600*2800	2900*3100	2855	2875	2980	2350	2220	2264	9/8

Note:"*" means capacity of double front wheels. 1.5T free lifting height reduces 346mm with backrest. 2-2.5T free lifting height reduces 430mm with backrest. 3T free lifting height reduces 520mm with backrest. 3.5T free lifting height reduces 454mm with

3 Stage Free Mast-Super Free Lifting Height

Mast Model	h1 Max Lifting Height(mm)	Load Capacity (J=500mm) (kg)				h2 Lowered Mast Height (mm)			h3 Free Lifting Height, without			Mast tilt α/β
		2T	2.5T	3T	3.5T	2-2.5T	3T	3.5T	2-2.5T	3T	3.5T	
ZSM360	3600	1900	2400	2900	3300	1805	1862	1862	1240	1152	1157	9/12
ZSM400	4000	1800*1900	2300	2800	3300	1930	1987	1987	1365	1277	1282	9/8
ZSM435	4350	1750*1900	2200*2400	2700*2900	2900*3100	2055	2112	2112	1490	1402	1407	9/8
ZSM450	4500	1600*1800	2000*2300	2500*2700	2800*3000	2118	2175	2175	1553	1465	1470	9/8
ZSM470	4700	1300*1700	1800*2100	2350*2550	2600*2800	2183	2240	2240	1618	1530	1535	9/8
ZSM480	4800	1250*1700	1700*2000	2250*2450	2500*2750	2205	2262	2262	1640	1552	1557	9/8
ZSM500	5000	1100*1600	1500*1800	2100*2300	2300*2600	2305	2362	2362	1740	1652	1657	9/8
ZSM540	5400	900*1400	1200*1600	1650*2100	1800*2300	2430	2487	2487	1865	1777	1782	3/6
ZSM550	5500	800*1300	1100*1500	1500*2000	1700*2200	2470	2527	2527	1905	1817	1822	3/6
ZSM600	6000	600*1100	800*1300	1200*1800	1300*2000	2655	2712	2712	2090	2002	2007	3/6
ZSM650	6500	400*800	600*1000	900*1500	1000*1600	2870	2927	2927	2305	2217	2222	3/3

Note:"*" means capacity of double front wheels. 1.5T free lifting height reduces 346mm with backrest. 2-2.5T free lifting height reduces 370mm with backrest. 3T free lifting height reduces 465mm with backrest. 3.5T free lifting height reduces 465mm with